

| ROOM FINISHES | |
|---------------|---------------------------|
| 1 | HARDWOOD FLOOR |
| 2 | WOOD BASEBOARD |
| 3 | WALL PAINTED FINISH |
| 4 | CEILING PAINTED FINISH |
| 5 | KITCHEN / BATH TILE FLOOR |

| EXTERIOR FINISHES | |
|-------------------|-------------------------------|
| 1 | ROOFING SHINGLES |
| 2 | HARDIE BOARD SHINGLES |
| 3 | HARDIE BOARD SIDING |
| 4 | 2 x 6 WOOD CORNER TRIM |
| 5 | 2 x 12 TRIM BOARD & 2 x 3 CAP |
| 6 | 2 x 12 WOOD FASCIA BOARD |
| 7 | 2 x 8 WOOD FASCIA BOARD |
| 8 | 1 x 6 WOOD SOFFIT |
| 9 | 8 x 8 WOOD POST |
| 10 | METAL GUTTER |

| ROOF TYPES | |
|------------|--|
| R1 | ROOFING SHINGLES ROOFING PAPER 1/2" SHEATHING ENG. ROOF TRUSSES @ 24" O.C. R28 BATT INSULATION 6 MIL U.V. POLY V.B. 1/2" GWB |

| FLOOR TYPES | |
|-------------|--|
| F1 | 4" CONCRETE SLAB 6 MIL POLY M.B. & V.B. 5" COMPACTED GRANULAR FILL |

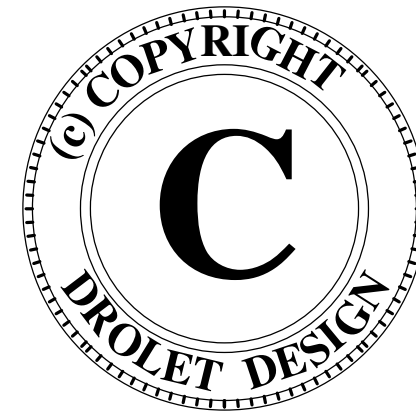
| WALL TYPES | |
|------------|--|
| W1 | BITUMINOUS DAMPPROOFING 8" CONCRETE FOUNDATION WALL |

| | |
|----|---|
| W2 | HARDIE BOARD SIDING 3/4" STRAPPING @ 16" O.C. 2 LAYERS 30MIN BUILDING PAPER 1/2" SHEATHING @ 16" O.C. 2x6 STUDS @ 16" O.C. R20 BATT INSULATION 6 MIL U.V. POLY V.B. 1/2" GWB |
|----|---|

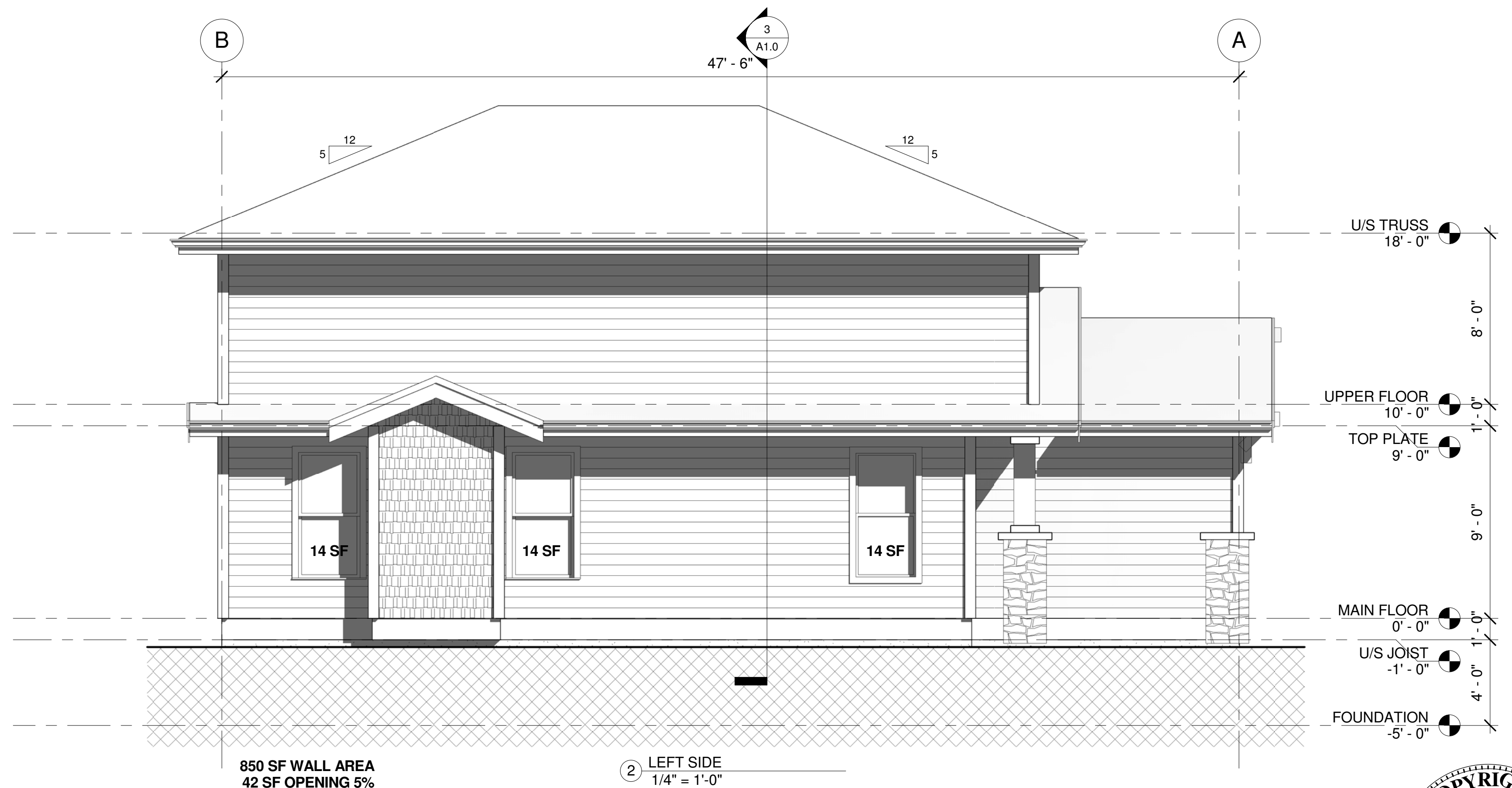
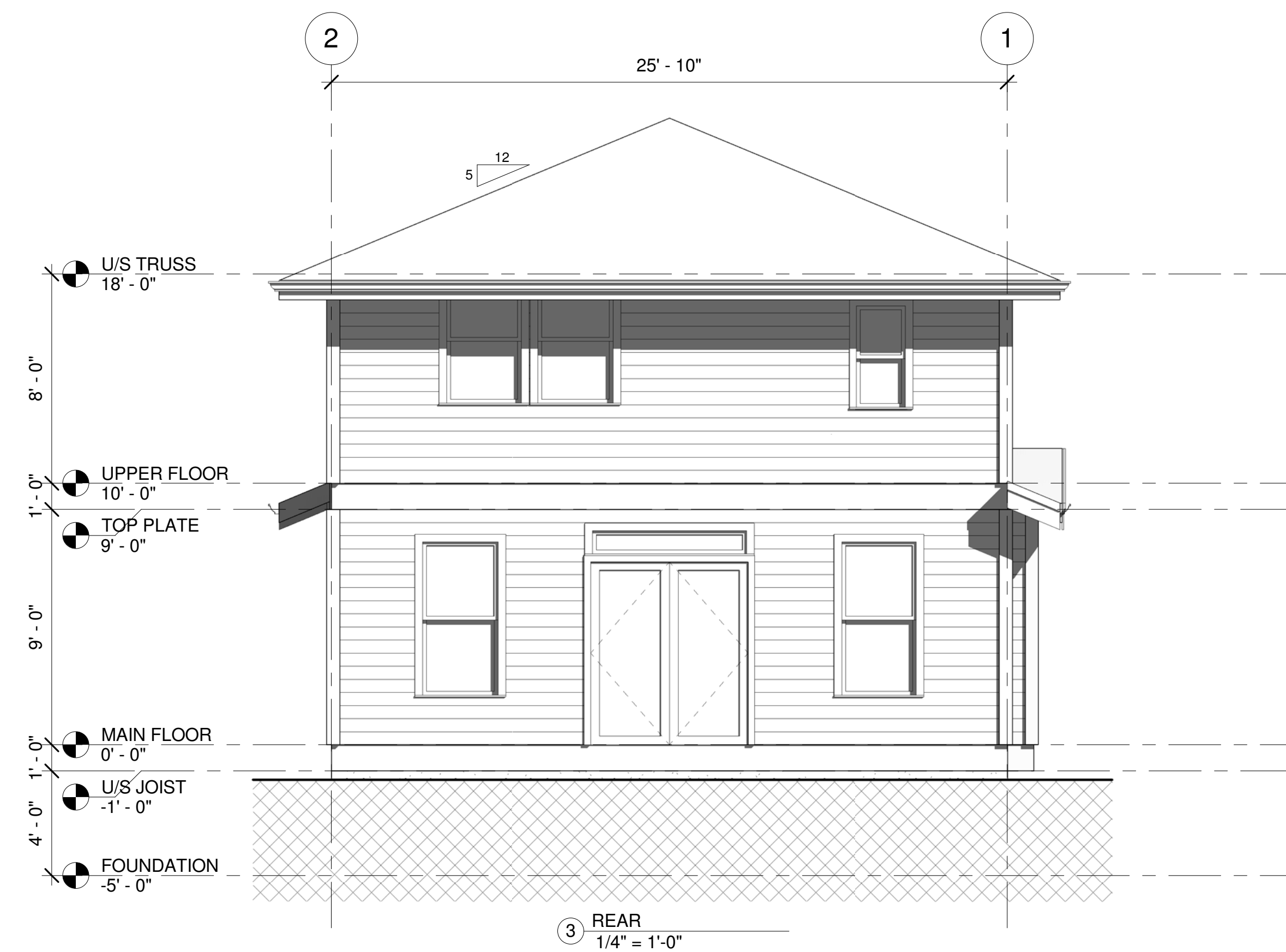
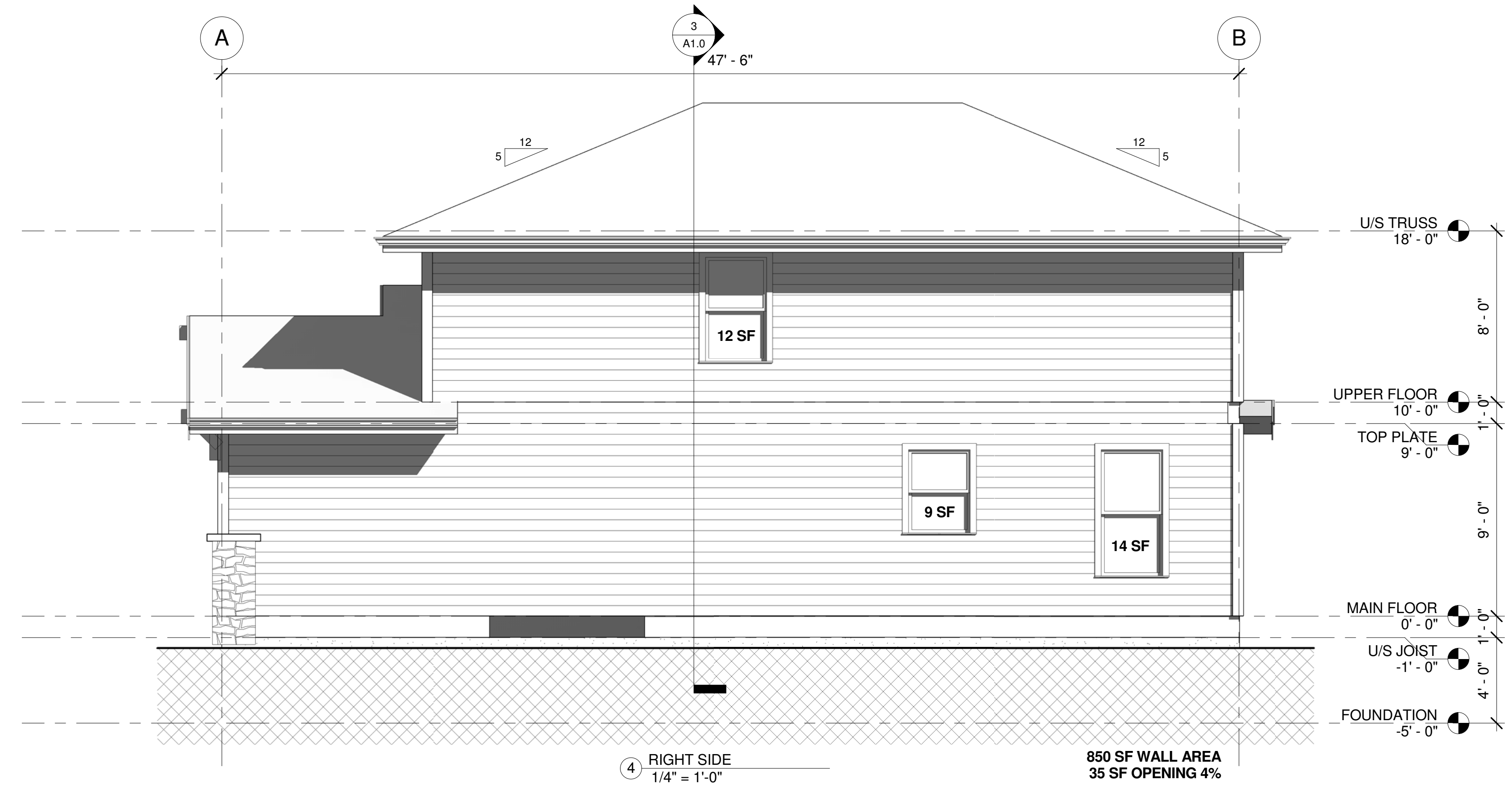
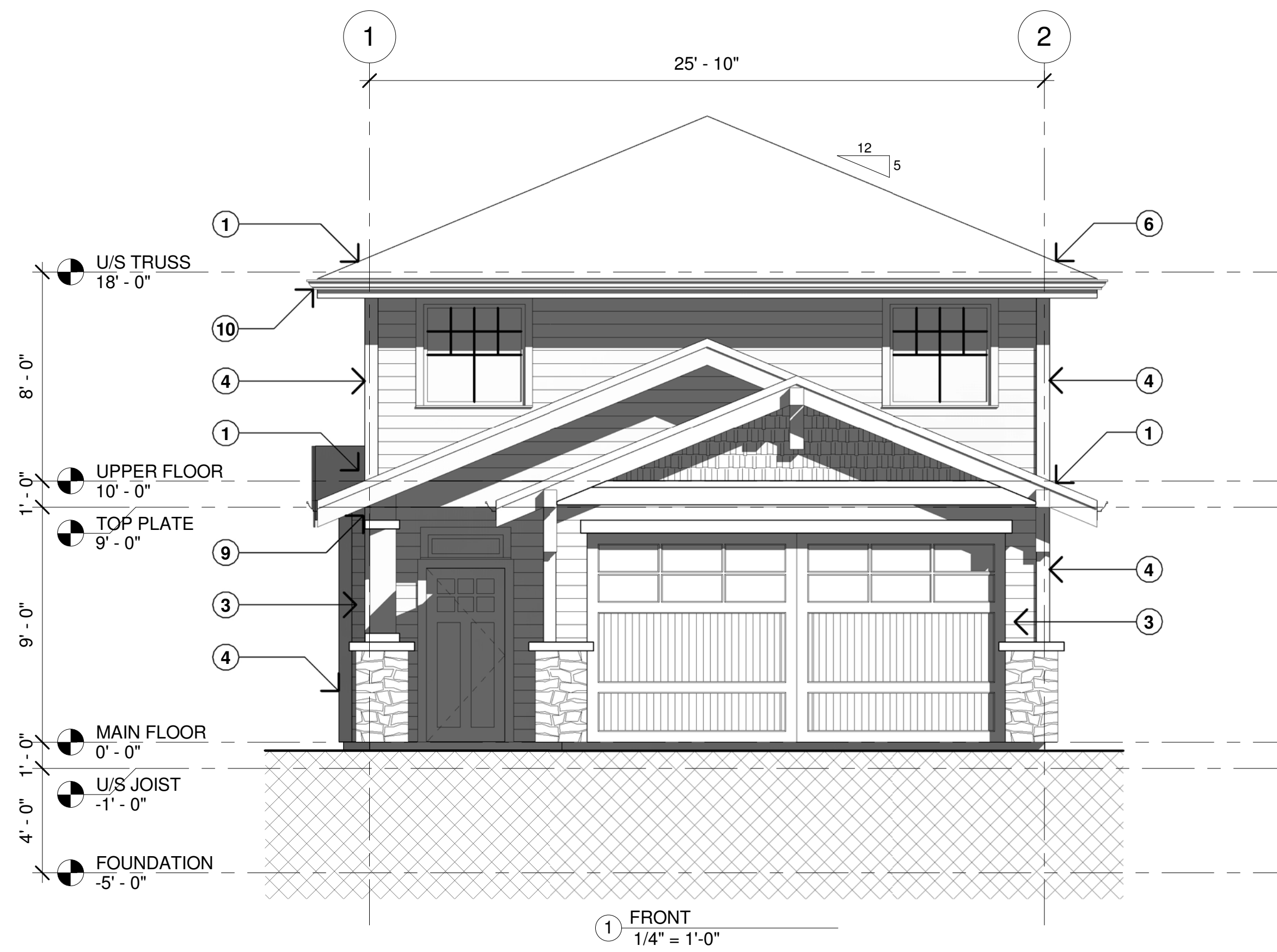
| | |
|----|--|
| W3 | 1/2" GWB 2x4 STUDS @ 16" O.C. 1/2" GWB |
|----|--|

(c) COPYRIGHT DROLET DESIGN
REPRODUCTION IS PROHIBITED.
DESIGN & DRAWING ARE THE
PROPERTY OF DROLET DESIGN.
BUYER HAS A ONE TIME LIMITED
LICENSE USE.
ERRORS OR OMISSIONS TO BE
REPORTED TO DROLET DESIGN
PRIOR TO CONSTRUCTION.
IF ERRORS OR OMISSIONS ARE NOT
REPORTED TO DROLET DESIGN
PRIOR TO CONSTRUCTION THE
BUILDER OR OWNER ARE FULLY
RESPONSIBLE.

| | |
|---|-------------------|
| DROLET DESIGN | |
| Victoria, BC, Canada Phone: 250-391-9890 Email: droletdesign@shaw.ca Web: www.droletdesign.com | |
| ADDRESS: | LOT 43 GIBBINS RD |
| TITLE: | FLOOR PLAN |
| SCALE: | 1/4" = 1'-0" |
| DATE: | NOV 8 2017 |
| DRAWN BY: | JD |
| JOB NO.: | 0073 |
| SHEET: | |



A2.0
SHEET A2.0 OF A2.0



| ROOM FINISHES | |
|---------------|---------------------------|
| 1 | HARDWOOD FLOOR |
| 2 | WOOD BASEBOARD |
| 3 | WALL PAINTED FINISH |
| 4 | CEILING PAINTED FINISH |
| 5 | KITCHEN / BATH TILE FLOOR |

| EXTERIOR FINISHES | |
|-------------------|-------------------------------|
| 1 | ROOFING SHINGLES |
| 2 | HARDIE BOARD SHINGLES |
| 3 | HARDIE BOARD SIDING |
| 4 | 2 x 6 WOOD CORNER TRIM |
| 5 | 2 x 12 TRIM BOARD & 2 x 3 CAP |
| 6 | 2 x 12 WOOD FASCIA BOARD |
| 7 | 2 x 8 WOOD FASCIA BOARD |
| 8 | 1 x 6 WOOD SOFFIT |
| 9 | 8 x 8 WOOD POST |
| 10 | METAL GUTTER |

| ROOF TYPES | |
|------------|--|
| R1 | ROOFING SHINGLES ROOFING PAPER 1/2" SHEATHING ENG. ROOF TRUSSES @ 24" O.C. R28 BATT INSULATION 6 MIL U.V. poly V.B. 1/2" GWB |

| FLOOR TYPES | |
|-------------|--|
| F1 | 4" CONCRETE SLAB 6 MIL POLY M.B. & V.B. 5" COMPACTED GRANULAR FILL |

| WALL TYPES | |
|------------|--|
| W1 | BITUMINOUS DAMPPROOFING 8" CONCRETE FOUNDATION WALL |

| | |
|----|--|
| W2 | HARDIE BOARD SIDING 3/4" STRAPPING @ 16" O.C. 2 LAYERS 30MIN BUILDING PAPER 1/2" SHEATHING 2x6 STUDS @ 16" o.c. R20 BATT INSULATION 6 MIL U.V. POLY V.B. 1/2" GWB |
|----|--|

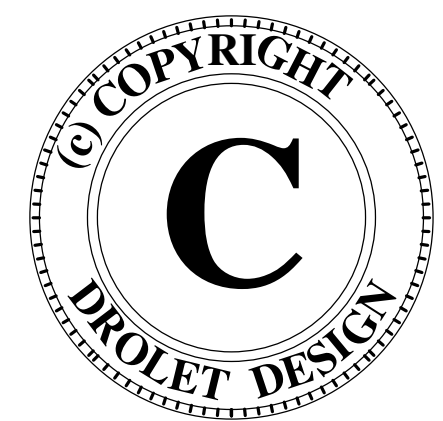
| | |
|----|--|
| W3 | 1/2" GWB 2x4 STUDS @ 16" O.C. 1/2" GWB |
|----|--|

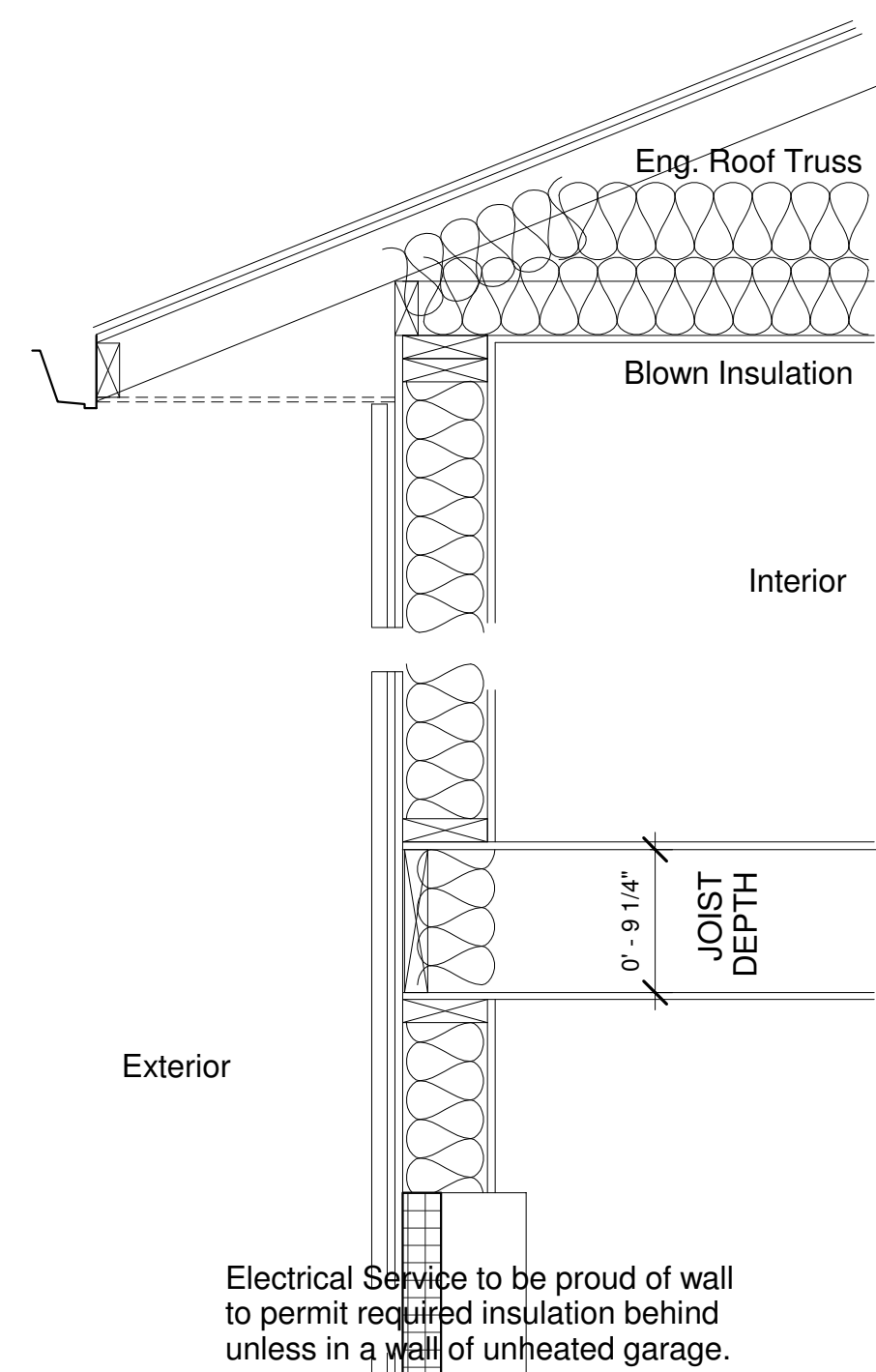
(c) COPYRIGHT DROLET DESIGN
REPRODUCTION IS PROHIBITED.
DESIGN & DRAWING ARE THE
PROPERTY OF DROLET DESIGN.
BUYER HAS A ONE TIME LIMITED
LICENSE USE.
ERRORS OR OMISSIONS TO BE
REPORTED TO DROLET DESIGN
PRIOR TO CONSTRUCTION.
IF ERRORS OR OMISSIONS ARE NOT
REPORTED TO DROLET DESIGN
PRIOR TO CONSTRUCTION THE
BUILDER OR OWNER ARE FULLY
RESPONSIBLE.

DROLET DESIGN
Victoria, BC, Canada
Phone: 250-391-9890
Email: droletdesign@shaw.ca
Web: www.droletdesign.com

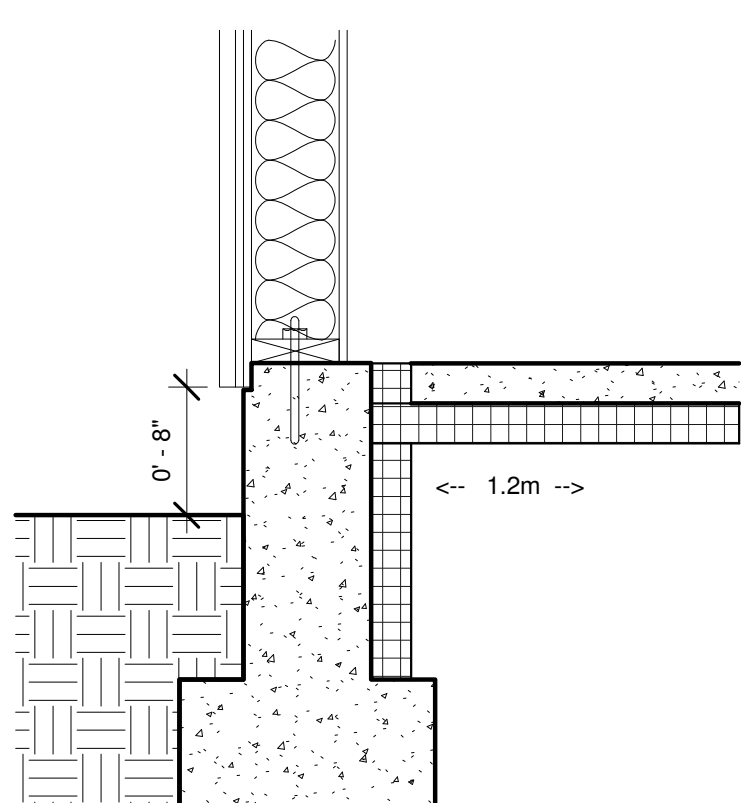
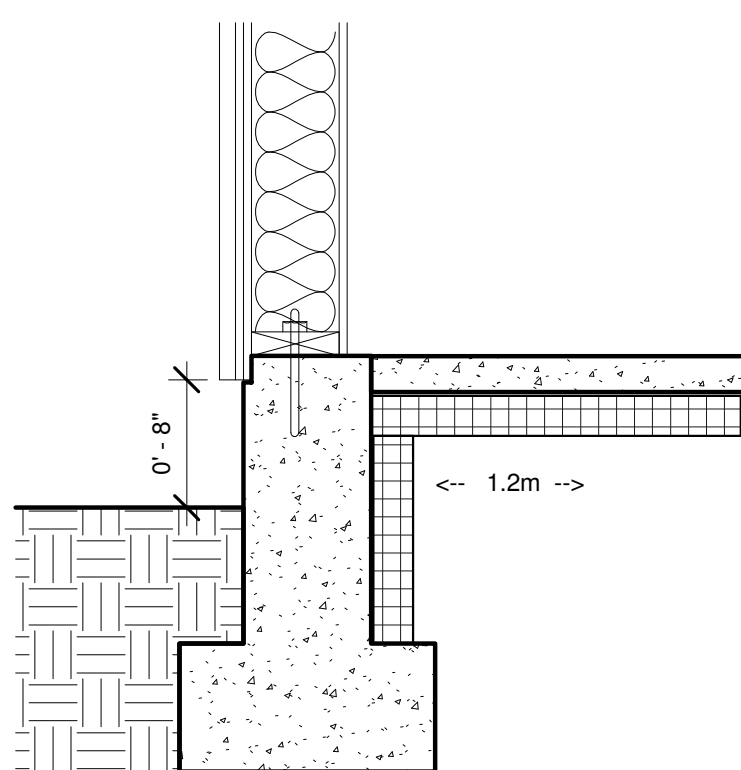
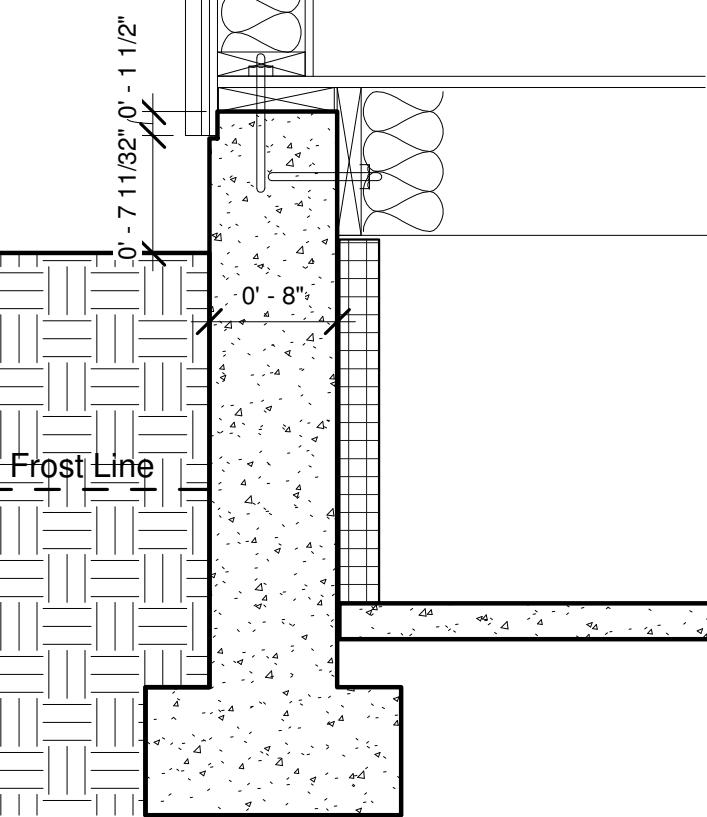
ADDRESS: LOT 43 GIBBINS RD
TITLE: ELEVATIONS
SCALE: 1/4" = 1'0"
DATE: NOV 8 2017
DRAWN BY: JD
JOB NO.: 0073

SHEET: **A3.0**
SHEET A3.0 OF A3.0

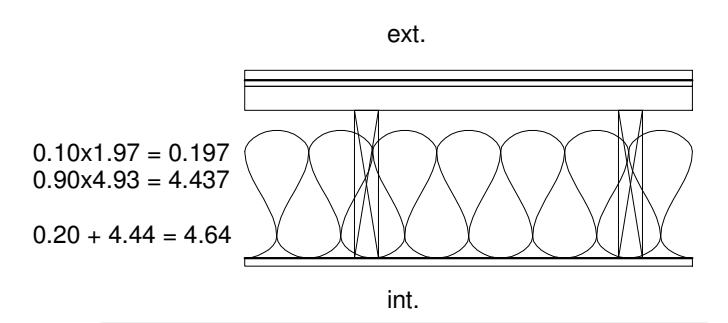




See Section 9.36 for continuity of insulation at sill



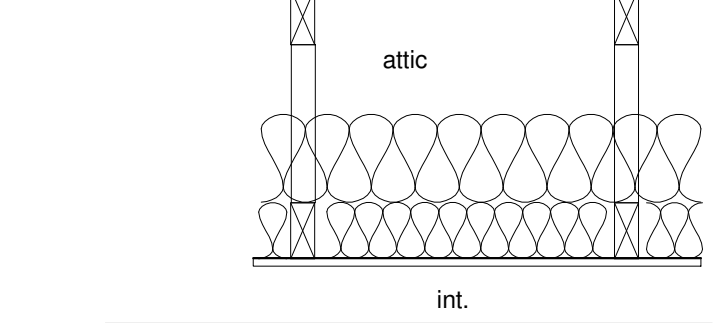
Compliance Option : Prescriptive, Zone 4



R Typical 2x10 Joist Roof

| Description | Nominal | Effective |
|--|---------|-----------------|
| R-28 Batt Insulation in 2x10 Wood Framing @ 24" o.c. | - | 4.64 rsi |
| Interior Air Film | 0.12 | |
| 5/8" GWB | 0.10 | |
| 3" Air Cavity w/ Purlins | n/a | |
| 1/2" sheathing | n/a | 0.25 rsi |
| Building Paper | 0.00 | |
| Asphalt Shingles | n/a | |
| Ext Air Film | 0.03 | |
| Total Effective | | 4.89 rsi |

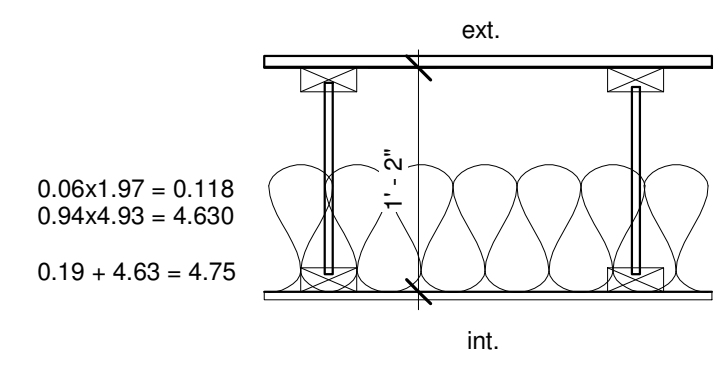
Required 4.67 rsi



S Typical Truss Roof

| Description | Nominal | Effective |
|---|---------|-----------------|
| R-12 Blown Insulation in 2x4 Wood Truss chords @ 24" o.c. | - | 1.47 rsi |
| Interior Air Film | 0.12 | |
| 5/8" GWB | 0.10 | |
| R28 Blown Insul (xtra) | 5.38 | |
| Ext Air Film | 0.03 | |
| Total Effective | | 7.10 rsi |

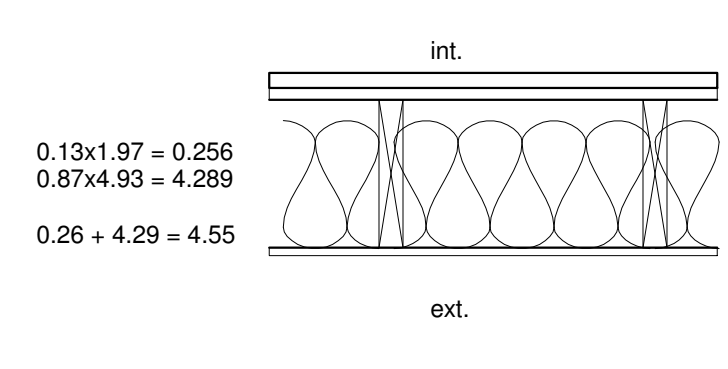
Required 6.91 rsi



T Typical TJ Joist Roof

| Description | Nominal | Effective |
|--|---------|-----------------|
| R-28 Batt Insulation in 14" TJ vented Wood Joists @ 24" o.c. | - | 4.75 rsi |
| Ext. Air Film | 0.03 | |
| Roof Shingles | 0.08 | |
| 1/2" sheathing | 0.08 | |
| 1/2" Air Cavity | 0.15 | |
| 5/8" GWB | 0.10 | |
| Int. Air Film | 0.12 | |
| Total Effective | | 5.31 rsi |

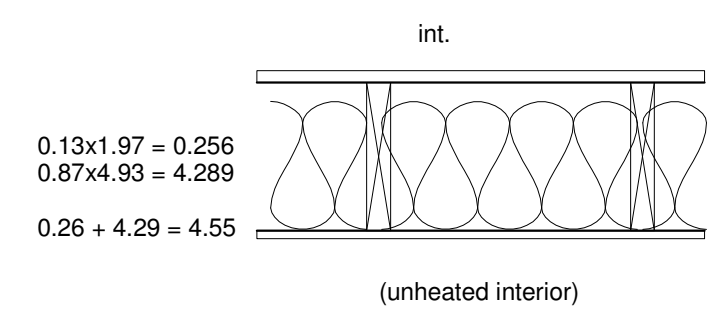
Required 4.67 rsi



U Typical Floor w/ Concrete Topping

| Description | Nominal | Effective |
|--|---------|-----------------|
| R-28 Batt Insulation in 2x10 Wood Framing @ 16" o.c. | - | 4.55 rsi |
| Interior Air Film | 0.12 | |
| Floor Finish | 0.00 | |
| 1.5" Conc Topping | 0.02 | |
| 3/4" sheathing | 0.11 | |
| Perf Alum Soffit | 0.00 | |
| Ext Air Film | 0.03 | |
| Total Effective | | 4.67 rsi |

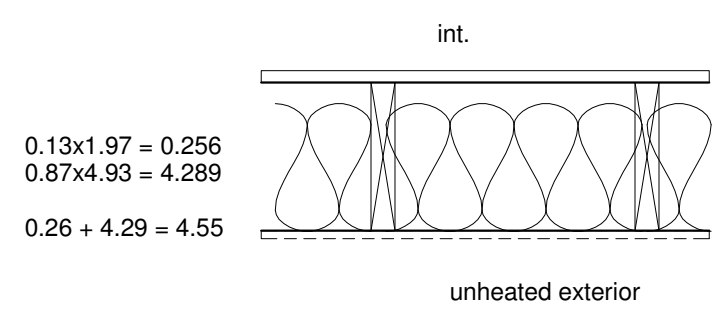
Required 4.67 rsi



V Typical Floor over Garage or Unheated

| Description | Nominal | Effective |
|--|---------|-----------------|
| R-28 Batt Insulation in 2x10 Wood Framing @ 16" o.c. | - | 4.55 rsi |
| Interior Air Film | 0.12 | |
| Floor Finish | 0.00 | |
| 3/4" sheathing | 0.11 | |
| 5/8" GWB | 0.11 | |
| Ext Air Film | 0.16 | |
| Total Effective | | 5.05 rsi |

Required 4.67 rsi



W Typical Floor Cantilevered

| Description | Nominal | Effective |
|---|---------|-----------------|
| R-28 Batt Insulation in 2x6 Wood Framing @ 16" o.c. | - | 4.55 rsi |
| Interior Air Film | 0.12 | |
| 3/4" sheathing | 0.11 | |
| Floor Finish | 0.00 | |
| 1/2" Air Cavity | 0.15 | |
| Perf Alum Soffit | 0.03 | |
| Ext Air Film | 0.03 | |
| Total Effective | | 5.07 rsi |

Required 4.67 rsi

A Typical Stucco Wall (rainscreen)

| Description | Nominal | Effective |
|---|----------|-----------------|
| R-20 Batt Insulation in 2x6 Wood Framing @ 16" o.c. | 3.34 rsi | 2.36 rsi |
| Interior Air Film | 0.12 | |
| 1/2" GWB | 0.08 | |
| 1/2" sheathing Building Paper | 0.11 | 0.00 |
| 1/2" Air Cavity | 0.15 | |
| Backer Board Stucco | 0.03 | 0.03 |
| Ext Air Film | 0.03 | |
| Total Effective | | 2.91 rsi |

Required 2.78 rsi

B Typical Hardie Siding Wall (rainscreen)

| Description | Nominal | Effective |
|---|----------|-----------------|
| R-20 Batt Insulation in 2x6 Wood Framing @ 16" o.c. | 3.34 rsi | 2.36 rsi |
| Interior Air Film | 0.12 | |
| 1/2" GWB | 0.08 | |
| 1/2" sheathing | 0.11 | |
| Building Paper | 0.00 | 0.52 rsi |
| 1/2" Air Cavity | 0.15 | |
| FibreCement Siding | 0.03 | |
| Ext Air Film | 0.03 | |
| Total Effective | | 2.88 rsi |

Required 2.78 rsi

C Typical Cedar Siding Wall (rainscreen)

| Description | Nominal | Effective |
|---|----------|-----------------|
| R-20 Batt Insulation in 2x6 Wood Framing @ 16" o.c. | 3.34 rsi | 2.36 rsi |
| Interior Air Film | 0.12 | |
| 1/2" GWB | 0.08 | |
| 1/2" sheathing | 0.11 | |
| Building Paper | 0.00 | 0.60 rsi |
| 1/2" Air Cavity | 0.15 | |
| Cedar Siding | 0.11 | |
| Ext Air Film | 0.03 | |
| Total Effective | | 2.96 rsi |

Required 2.78 rsi

D Typical Wall w/ Stone Veneer

| Description | Nominal | Effective |
|---|----------|-----------------|
| R-20 Batt Insulation in 2x6 Wood Framing @ 16" o.c. | 3.34 rsi | 2.36 rsi |
| Interior Air Film | 0.12 | |
| 1/2" GWB | 0.08 | |
| 1/2" sheathing Building Paper | 0.11 | 0.00 |
| 1/2" Air Cavity | 0.15 | |
| Backer Board Stucco Scratch Stone Veneer | 0.03 | 0.03 |
| Ext Air Film | 0.03 | |
| Total Effective | | 2.91 rsi |

Required 2.78 rsi

E Garage Common Wall

| Description | Nominal | Effective |
|---|----------|-----------------|
| R-20 Batt Insulation in 2x6 Wood Framing @ 24" o.c. | 3.34 rsi | 2.45 rsi |
| Interior Air Film | 0.12 | |
| 1/2" GWB | 0.08 | |
| 1/2" GWB | 0.08 | |
| Ext Air Film | 0.16 | |
| Total Effective | | 0.44 rsi |

Required 2.78 rsi

F Typical Below Grade Wall

| Description | Nominal | Effective |
|---|---------|-----------------|
| R-12 Batt Insulation in 2x4 Wood Furring @ 16" o.c. | - | 1.79 rsi |
| Interior Air Film | 0.12 | |
| 1/2" GWB | 0.08 | |
| 1/2" Air Cavity | 0.15 | |
| Concrete 200mm | 0.08 | |
| Ext Air Film | 0.03 | |
| Total Effective | | 0.43 rsi |

Required 1.99 rsi

G Skylight Shaft Wall

| Description | Nominal | Effective |
|---|---------|-------------|
| R-20 Batt Insulation in 2x6 Wood Framing @ 24" o.c. | 3.34 | 2.45 |
| Interior Air Film | 0.12 | |
| 1/2" GWB | 0.08 | |
| 1/2" Sheathing | 0.11 | |
| Ext Air Film | 0.16 | |
| Total Effective | | 0.47 |

Required 2.78 rsi

H Typical Below Grade Wall

| Description | Nominal | Effective |
|--------------------------------------|---------|-----------------|
| Rigid Insulation on Crawlspace walls | - | - |
| Interior Air Film | 0.12 | |
| 75mm Poly Styrene | 2.52 | |
| Ext Air Film | 0.03 | |
| Total Effective | | 2.67 rsi |

Required 1.99 rsi

ROOM FINISHES

- HARDWOOD FLOOR
- WOOD BASEBOARD
- WALL PAINTED FINISH
- CEILING PAINTED FINISH
- KITCHEN / BATH TILE FLOOR

EXTERIOR FINISHES

- ROOFING SHINGLES
- HARDIE BOARD SHINGLES
- HARDIE BOARD SIDING
- 2 x 6 WOOD CORNER TRIM
- 2 x 12 TRIM BOARD & 2 x 3 CAP
- 2 x 12 WOOD FASCIA BOARD
- 2 x 8 WOOD FASCIA BOARD
- 1 x 6 WOOD SOFFIT
- 8 x 8 WOOD POST
- METAL GUTTER

ROOF TYPES

R1 ROOFING SHINGLES
ROOFING PAPER
1/2" SHEATHING
ENG. ROOF TRUSSES @ 24" O.C.
R28 BATT INSULATION
6 MIL U.V. poly V.B.
1/2" GWB

FLOOR TYPES

F1 4" CONCRETE SLAB
6 MIL POLY M.B. & V.B.
5" COMPACTED GRANULAR FILL

WALL TYPES

W1 BITUMINOUS DAMPPROOFING
8" CONCRETE FOUNDATION WALL

W2 HARDIE BOARD SIDING
3/4" STRAPPING @ 16" O.C.
2 LAYERS 30MIN BUILDING PAPER
1/2" SHEATHING
2x6 STUDS @ 16" o.c.
R20 BATT INSULATION
6 MIL U.V. POLY V.B.
1/2" GWB

W3 1/2" GWB
2x4 STUDS @ 16" O.C.
1/2" GWB

(c) COPYRIGHT DROLET DESIGN
REPRODUCTION IS PROHIBITED.
DESIGN & DRAWING ARE THE
PROPERTY OF DROLET DESIGN.
BUYER HAS A ONE TIME LIMITED
LICENSE USE.
ERRORS OR OMISSIONS TO BE
REPORTED TO DROLET DESIGN
PRIOR TO CONSTRUCTION.
IF ERRORS OR OMISSIONS ARE NOT
REPORTED TO DROLET DESIGN
PRIOR TO CONSTRUCTION THE
BUILDER OR OWNER ARE FULLY
RESPONSIBLE.

DROLET DESIGN
Victoria, BC, Canada
Phone: 250-391-9890
Email: droletdesign@shaw.ca
Web: www.droletdesign.com

ADDRESS: LOT 43 GIBBINS RD
TITLE: DETAILS
SCALE: 1/4" = 1'0"
DATE: NOV 8 2017
DRAWN BY: JD
JOB NO.: 0073
SHEET:

